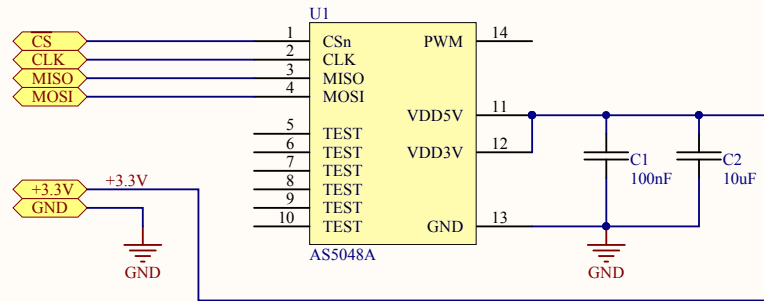
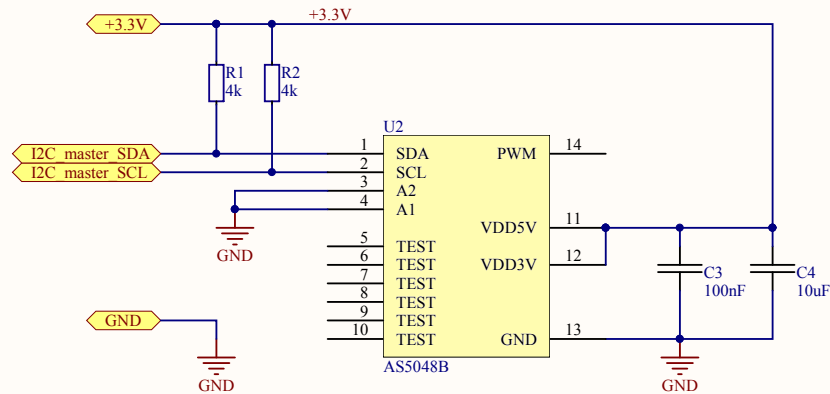


# ENCODER AS5048A SPI interface



# ENCODER AS5048B I2C interface

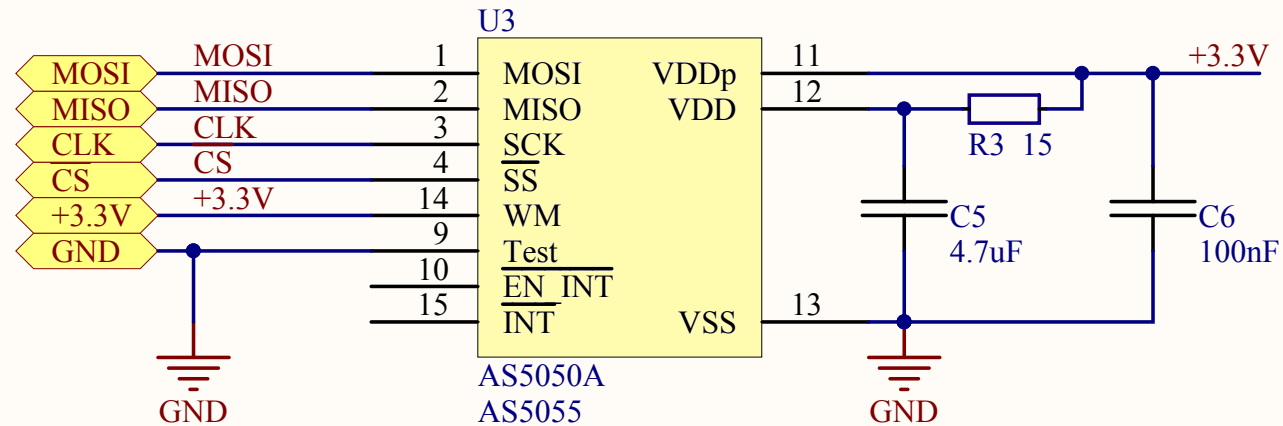
Uses only with LQFP48, UFQFPN48, UFBGA64 MCU cases



# ENCODER

## AS5050A/AS5055

### SPI interface



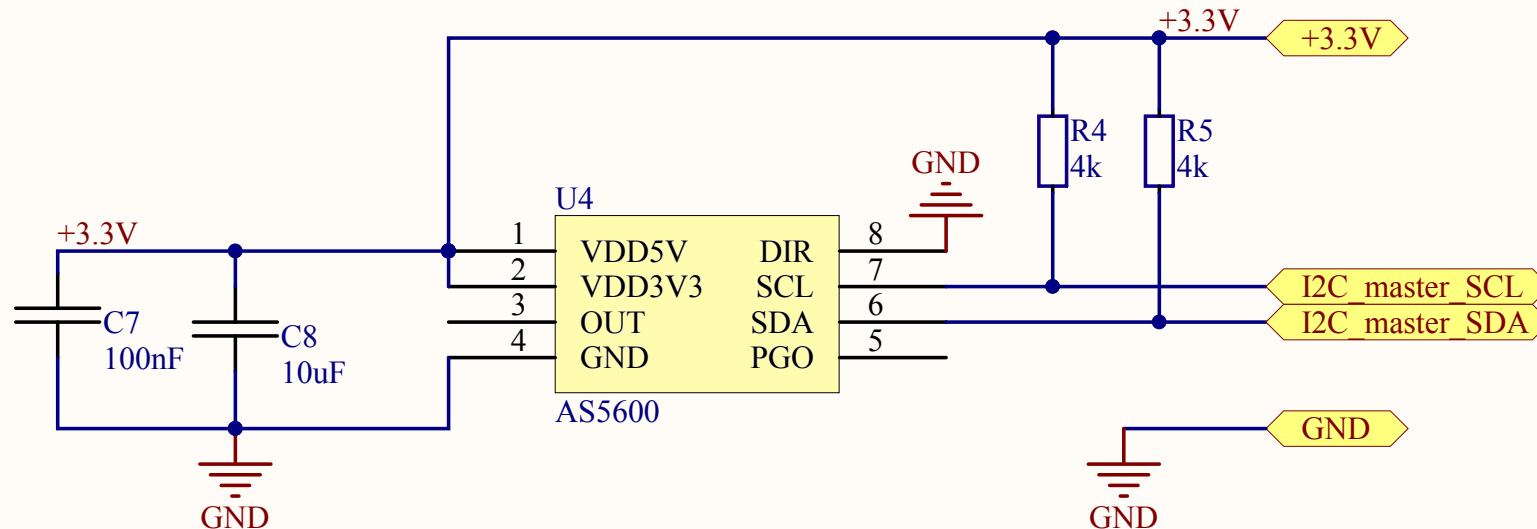
SBGC32\_I2C\_Drv rev. 1.0  
2015 (c) Basecamelectronics  
<http://www.basecamelectronics.com>

# ENCODER

## AS5600

### I2C interface

Uses only with LQFP48, UFQFPN48, UFBGA64 MCU cases

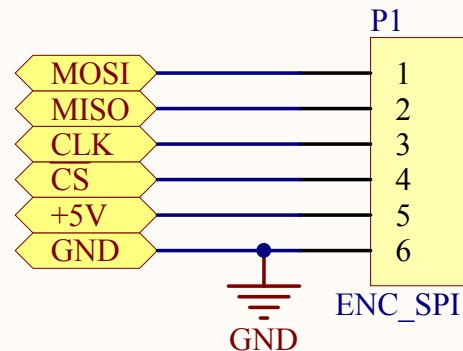


SBGC32\_I2C\_Drv rev. 1.0  
2015 (c) Basecamelectronics  
<http://www.basecamelectronics.com>

# ENCODER

## External AMT203

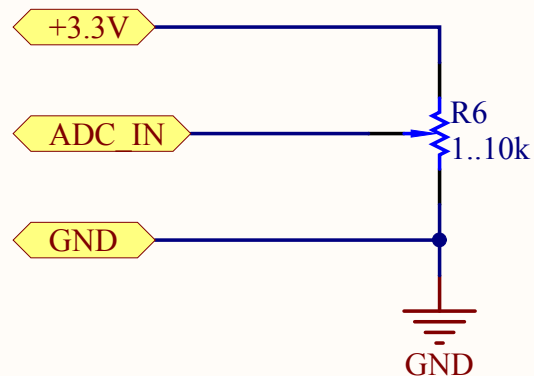
### SPI interface



SBGC32\_I2C\_Drv rev. 1.0  
2015 (c) Basecamelectronics  
<http://www.basecamelectronics.com>

# ENCODER

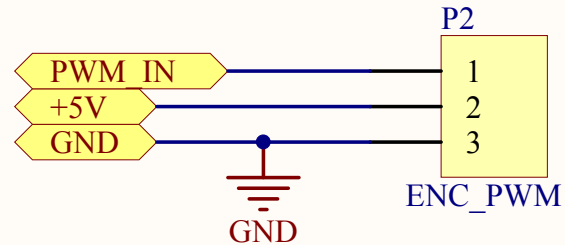
## External resistive Analog interface



SBGC32\_I2C\_Drv rev. 1.0  
2015 (c) Basecamelectronics  
<http://www.basecamelectronics.com>

# ENCODER

## External MA3 PWM interface

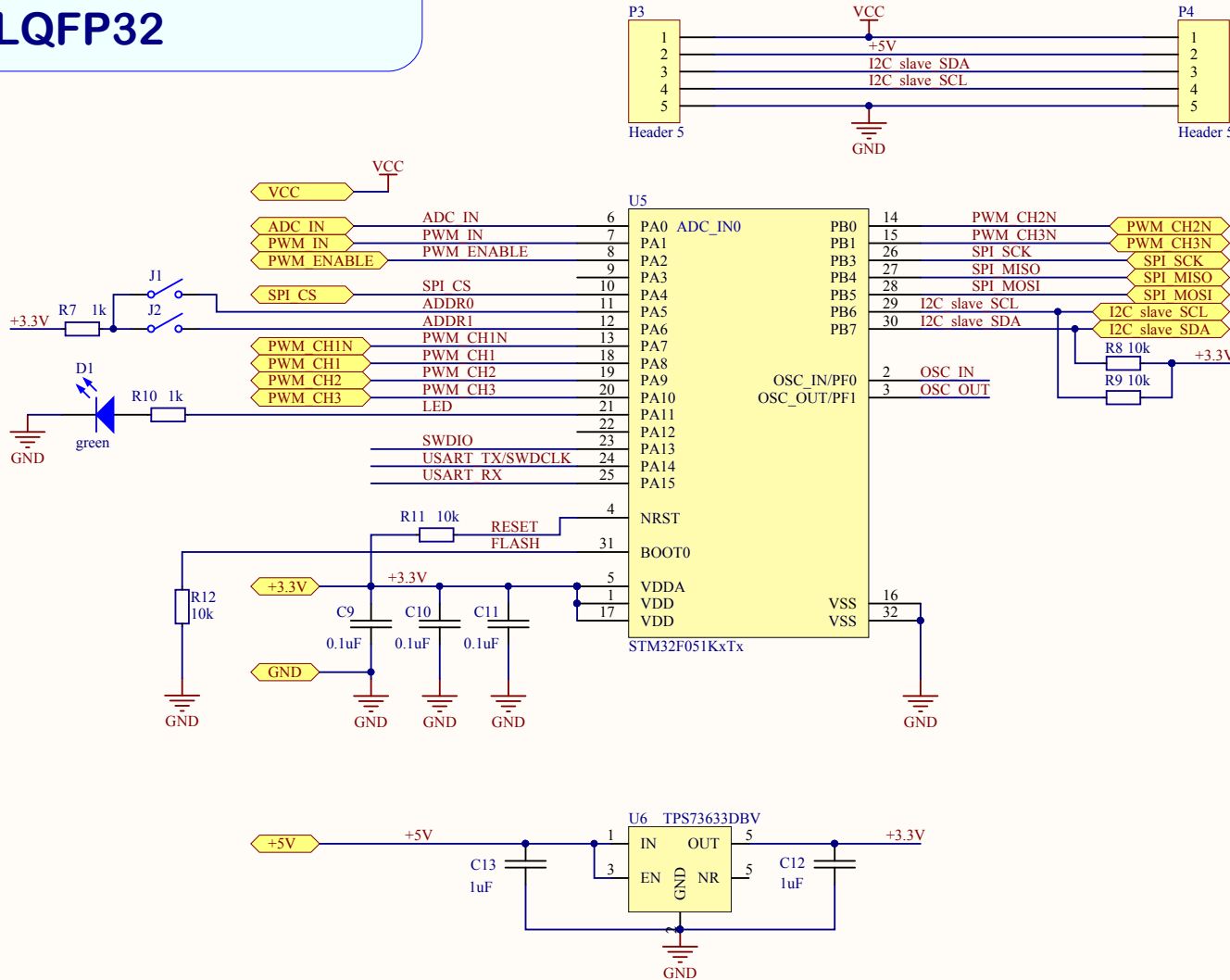


SBGC32\_I2C\_Drv rev. 1.0  
2015 (c) Basecamelectronics  
<http://www.basecamelectronics.com>

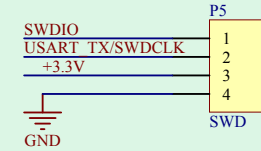
# MCU module

## STM32F051KxTx

### LQFP32

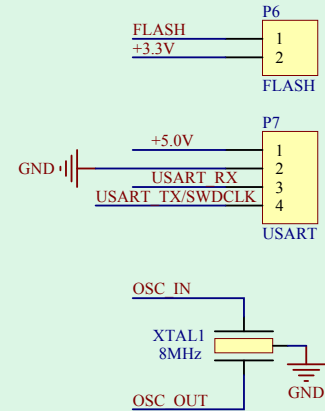


Firmware updating option 1



OR

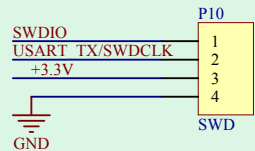
Firmware updating option 2





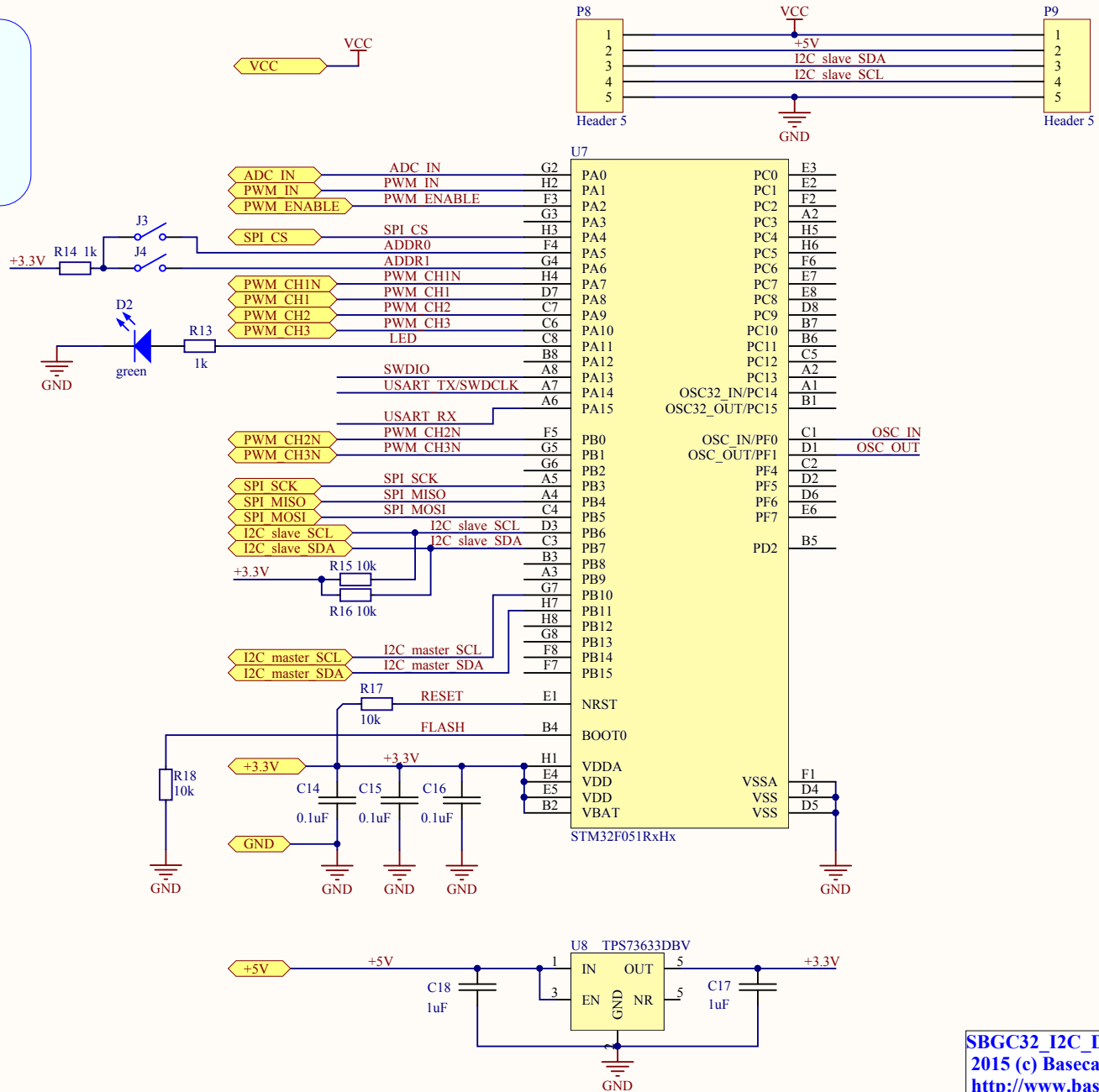
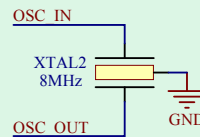
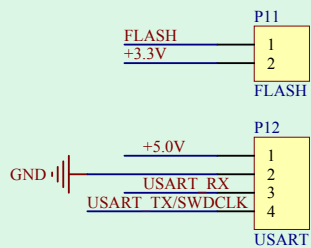
# MCU module STM32F051RxHx UFBGA64

Firmware updating option 1



OR

Firmware updating option 2

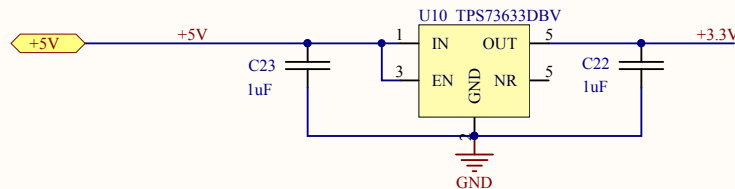
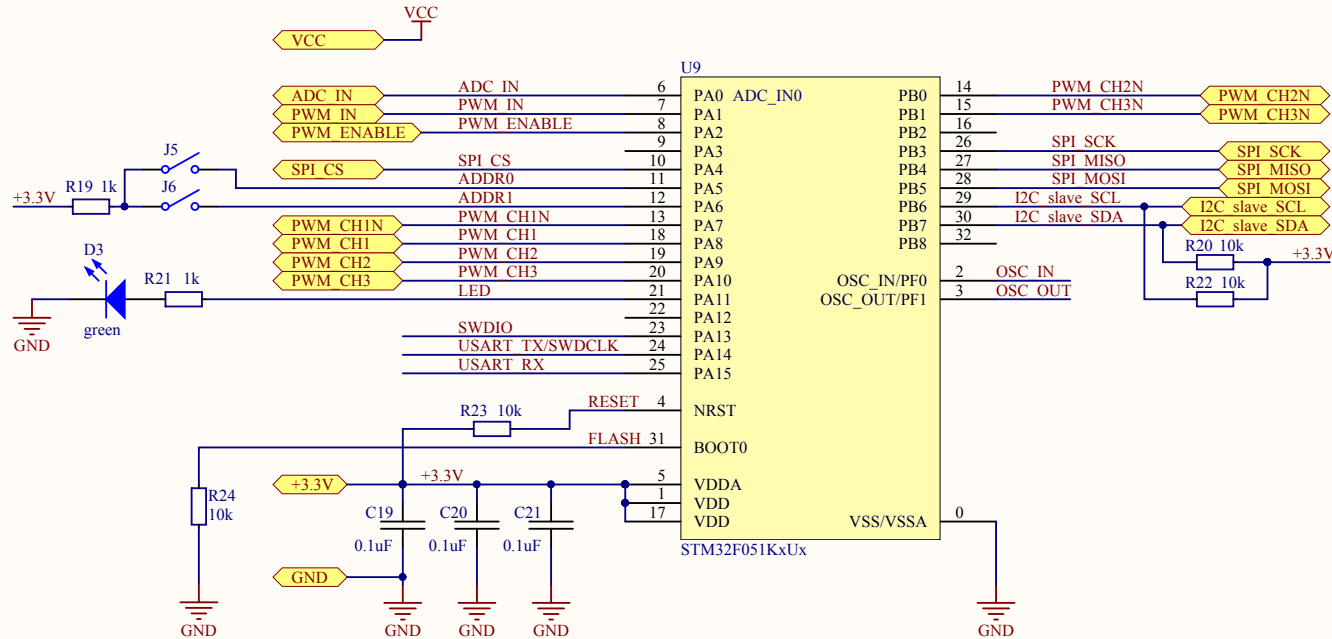
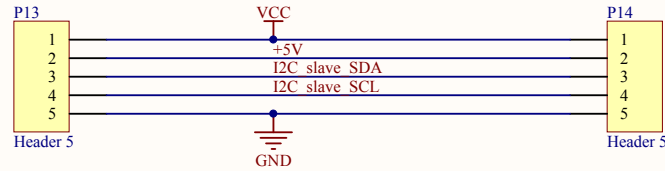


SBG32\_I2C\_Drv rev. 1.0  
2015 (c) Basecamelectronics  
<http://www.basecamelectronics.com>

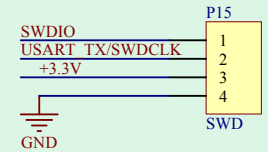
# MCU module

## STM32F051KxUx

### UFQFPN32

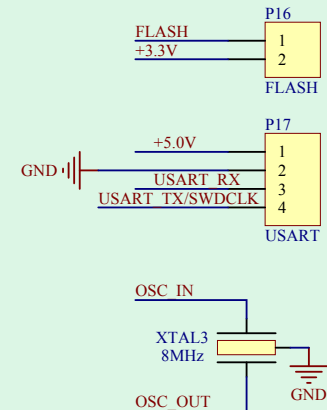


#### Firmware updating option 1



OR

#### Firmware updating option 2

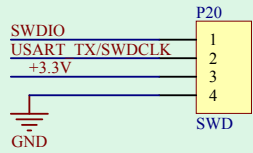


# MCU module

## STM32F051CxUx LQFP48

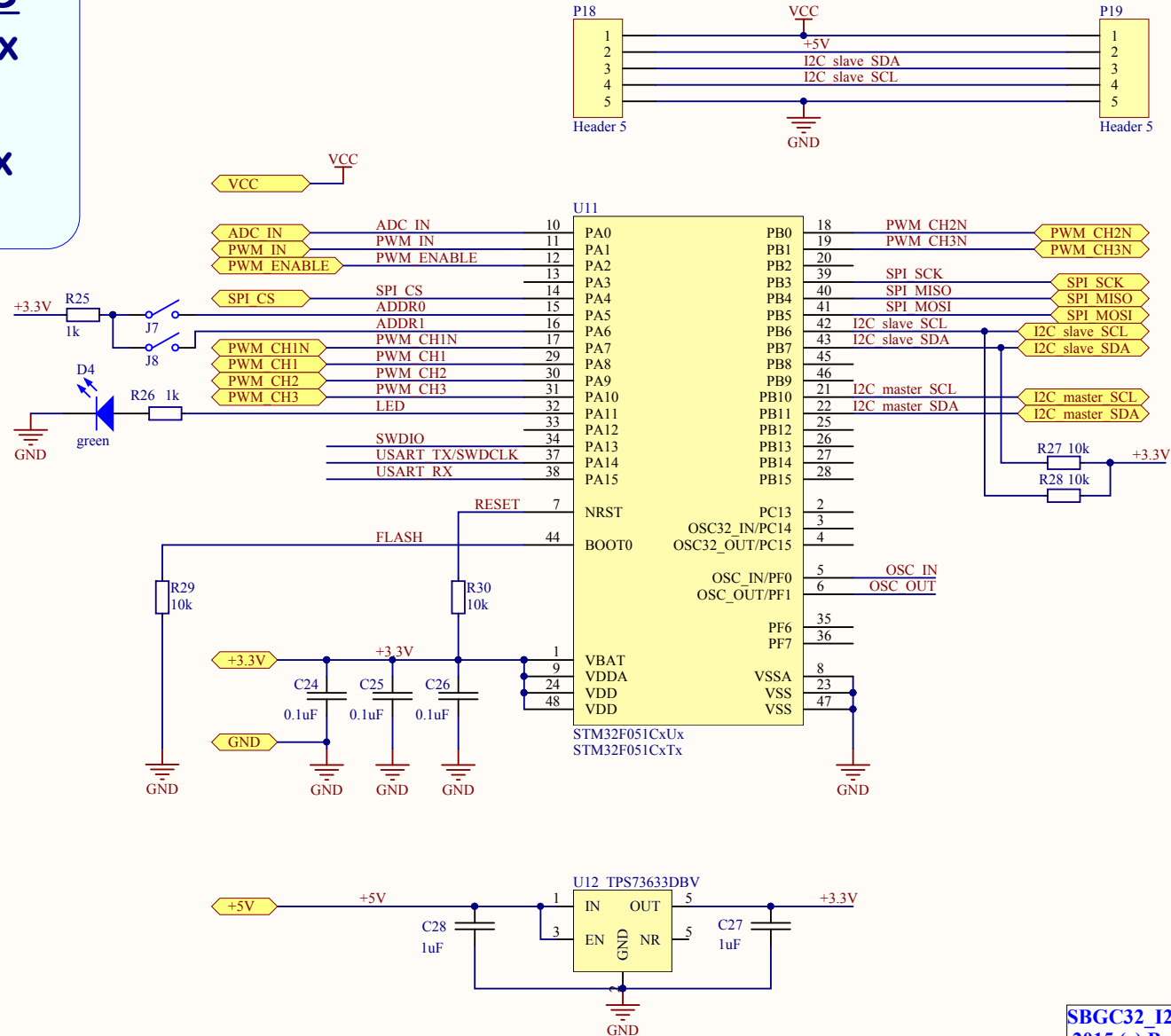
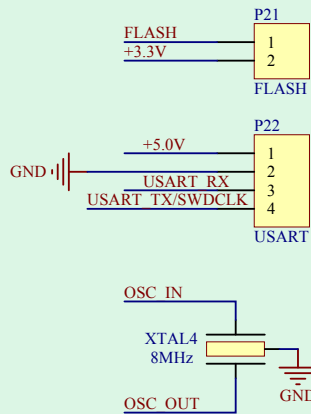
## STM32F051CxTx UFQFPN48

Firmware updating option 1



OR

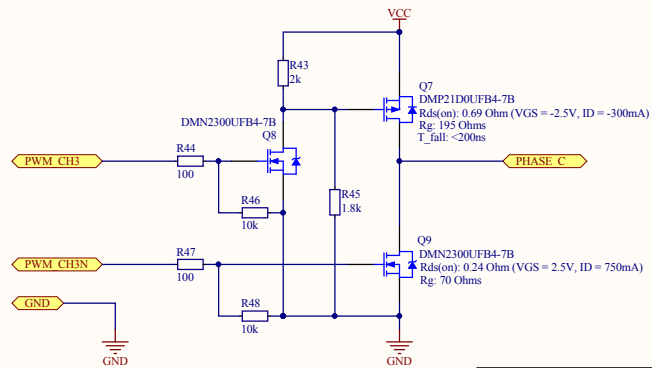
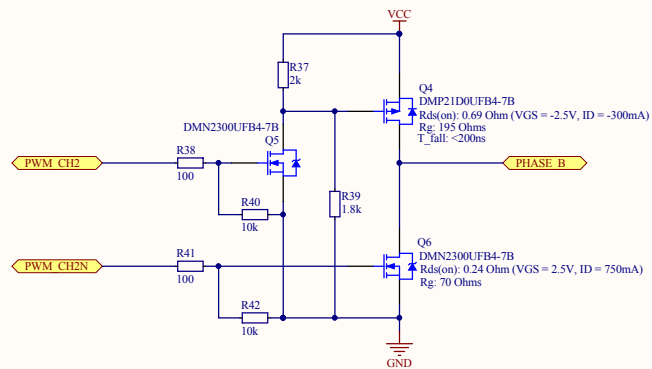
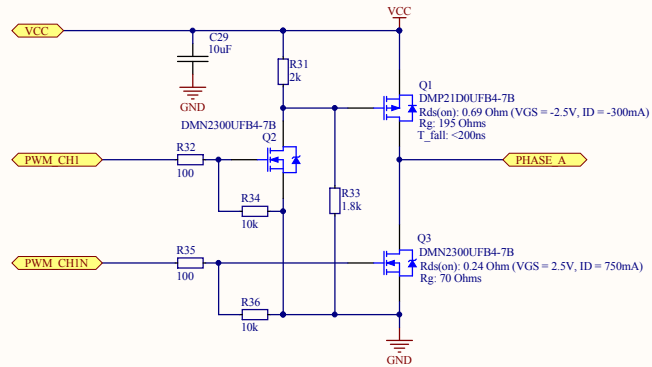
Firmware updating option 2



# MOTOR DRIVER

## FET-based example

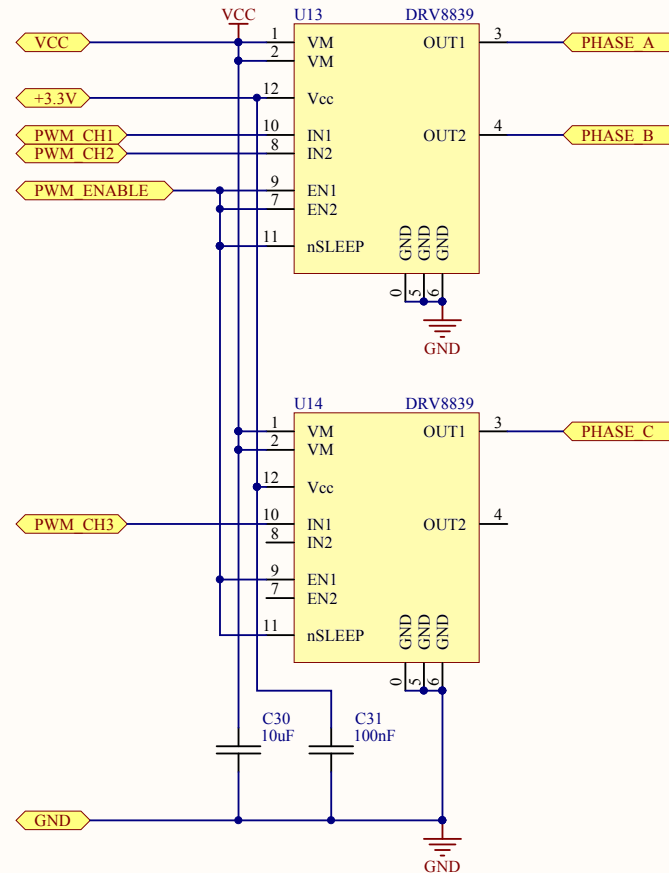
### Vcc < 16.8V



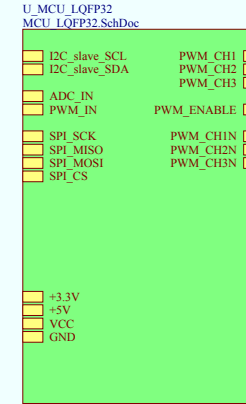
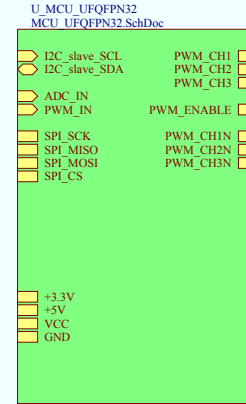
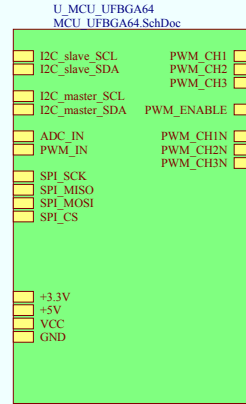
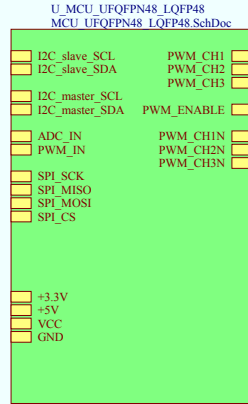
# MOTOR DRIVER

IC-based example

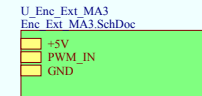
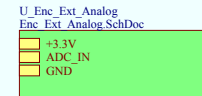
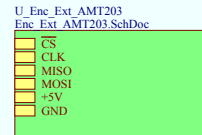
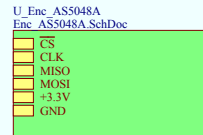
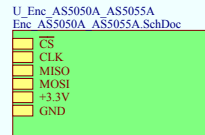
$V_{cc} < 11V$



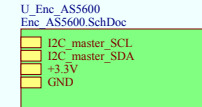
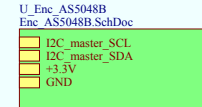
# MCU



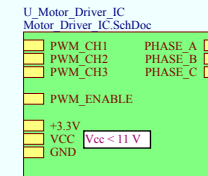
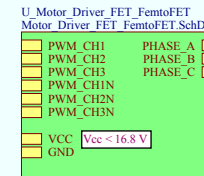
# Encoder



Uses only with LQFP48, UFQFPN48, UFBGA64 MCU cases



# Motor driver \*



\* Pay attention at Vcc limit !